

AB **AB**
08 **12**

Installation Guide

Free 5 year guarantee
Register your guarantee at www.dysonairblade.com

dyson

IMPORTANT SAFETY INSTRUCTIONS

READ BEFORE PROCEEDING FURTHER.

Retain for future use.

WARNING

All electrical installation and repair work should be carried out by a qualified electrician or Dyson Service Engineer in accordance with current local codes or regulations.

WARNING

Risk of electric shock! If casing is removed or handled improperly the internal components of the unit may cause harm or become permanently damaged.

BEFORE INSTALLATION

Before beginning any installation work you must confirm the following.

WIRING

- Check that the electrical supply corresponds to that shown on the rating plate. If the unit is connected to any electrical supply other than stated on the rating plate of the unit, permanent damage or improper/unsafe operation of the hand dryer may result.
- A means for all-pole disconnection must be incorporated into fixed wiring, in accordance with national and local wiring regulations.
- The unit must be earthed.
- When connecting the unit to the electricity supply use cable in accordance with national and local laws and applicable codes and standards, including fire-rated construction.
- If cable entry is to be from the side, it must be secured using plastic or flexible metal conduit and suitable fittings that lock to the side bracket. The conduit and fittings must be in accordance with local and national regulations. Solid metal conduit is not suitable.
- Ensure that the conduit and wires are long enough to connect to the backplate and the terminal block.
- When wiring in the back plate the maximum length for the wire's insulation to be stripped back is 6mm.

SAFETY

- Isolate the power before installation.

INSTALLATION

- Make sure that the unit is installed in compliance with all building codes and/or regulations.
- The unit must be mounted on a flat vertical wall capable of supporting the full weight of the unit.
- Use fixings as specified in this installation guide.
- Ensure no pipe work (gas, water, air) or electrical cables, wires or ductwork are located directly behind the drilling/mounting area.
- Dyson recommends the use of protective clothing, eyewear and materials when installing/repairing as necessary.
- To avoid damage to the fascia surface during installation, store the fascia in the original packaging until it is needed.

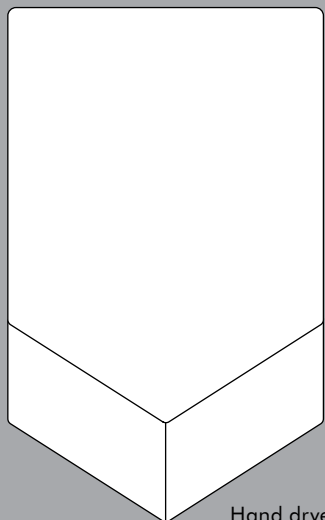
LOCATION

- The unit is designed for dry, internal location only.
- Consult local and national accessibility codes and regulations for relevant installation guidelines. Conformity and compliance is the responsibility of the installer.
- Ensure the required electrical supply is available for later connection.
- This product is not suitable for mounting onto porous wall surfaces (e.g. plaster) without a back panel, to avoid discolouring or damage to unprotected walls. (The recommended back panel for this product is available from Dyson.)

IMPORTANT

- Please refer to the Dyson Owners Manual for details of the guarantee.

Contents



Hand dryer



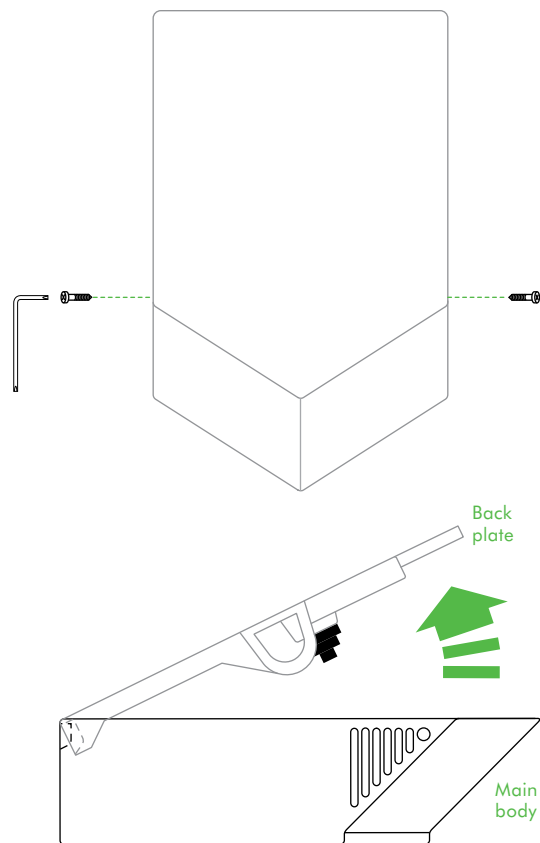
Service tool x1



Side bracket and seal assembly x1

1

Unpacking.

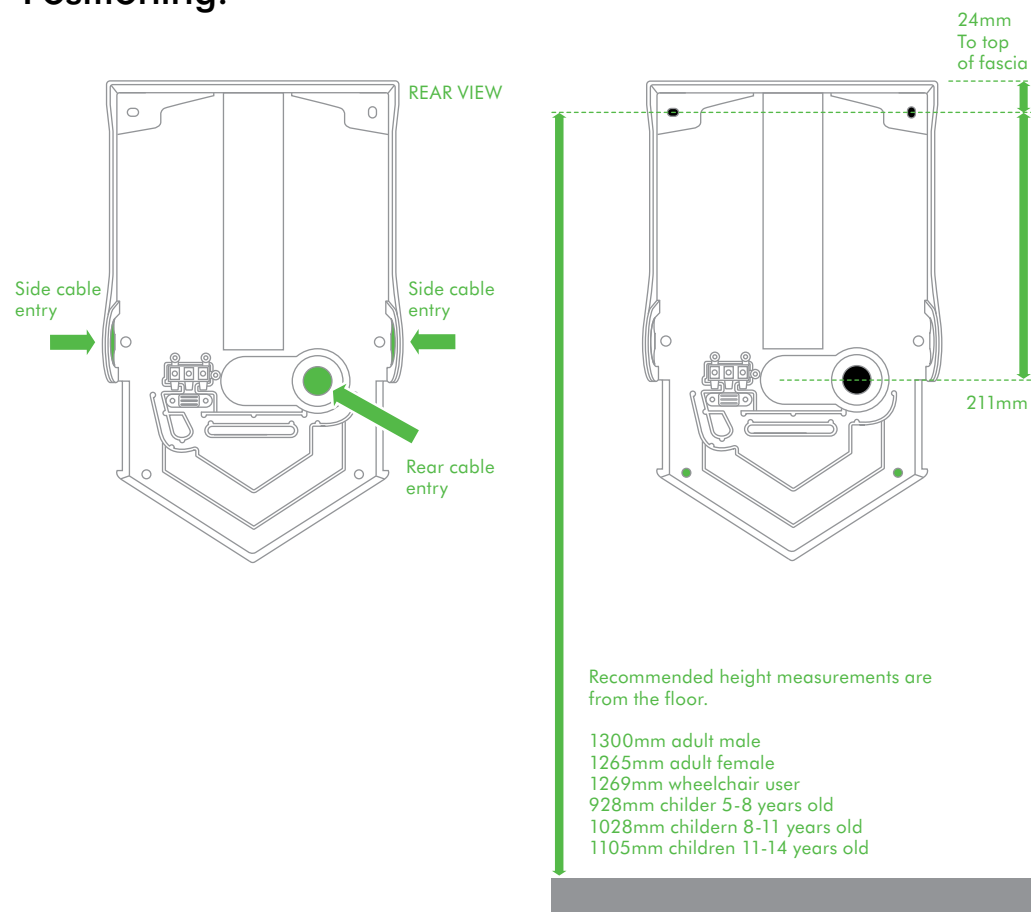


Use caution when removing the casing. The casing may have sharp edges/corners which may cut or cause harm.

1. Place the main body on a cloth to avoid marking its surface.
2. Remove the anti-tamper screws from the main body using the service tool provided. Store safely.
3. Lift the backplate out of the main body.
4. If cable entry is to be from the rear, remove the rubber grommet from the rear cable entry hole. Store safely.

2

Positioning.



Recommended height measurements are from the floor.

- 1300mm adult male
- 1265mm adult female
- 1269mm wheelchair user
- 928mm childer 5-8 years old
- 1028mm children 8-11 years old
- 1105mm children 11-14 years old

Caution

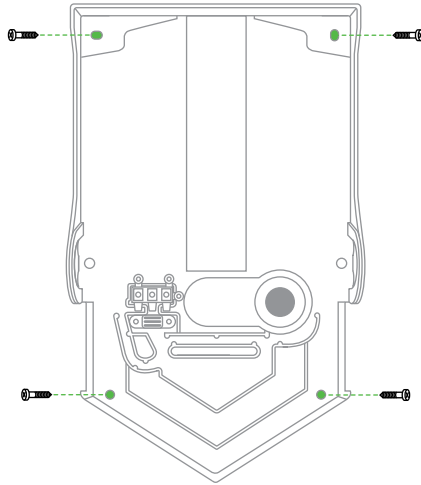
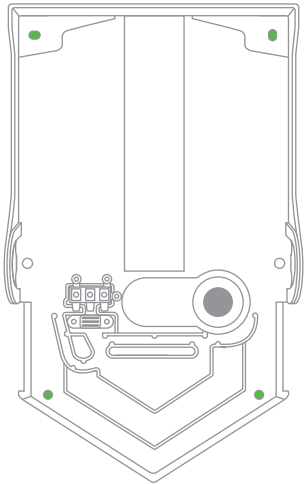
Before installation decide if the cable entry is to be from (3.1) the rear or (3.2) the side. Follow the relevant instructions.

Note

This product is not recommended for mounting onto porous wall surfaces (e.g. plaster) without a splashback, to avoid discolouring or damage to unprotected walls. (A back panel for this product is available from Dyson.)

CAUTION: Do not use the backplate as a guide when drilling. Ensure no pipe work (gas, water, air) or electrical cables, wires or ductwork are located directly behind the drilling/mounting area.

1. Select the appropriate height. Recommended heights are shown, but may need to be adjusted for each individual installation.
2. Minimum clearances are: above, 30mm; sides, 220mm. There should be no obstruction between the unit and the floor.
3. Measure the location on the wall. If cable entry is to be from the rear, the electricity supply cable from the wall must align with rear cable entry point in the backplate.

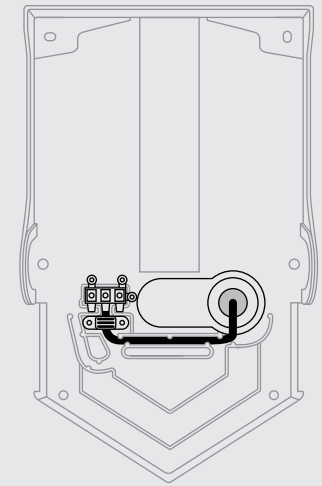
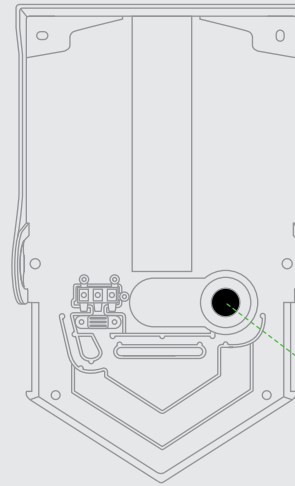


● Primary fixing locations (x4).

4. Mark the location on the wall with a pencil.
Use the backplate to mark the locations for the four fixing points.
5. Drill holes
6. Fix the optional back panel if required.

3.1

Rear cable entry.



● Primary fixing locations (x4).

Do not use countersunk screws.

Fixing the backplate to the wall.

Fit the backplate securely to the wall using the appropriate fixings for the wall type and weight of the unit. Do not use counter-sunk screws. Do not secure tightly until after the power cable has been secured.

Installing the power cable.

1. Cut the entry hole in the rubber cable grommet to the correct size: leave a hole smaller than the diameter of the power cable to ensure the cable fits tightly.

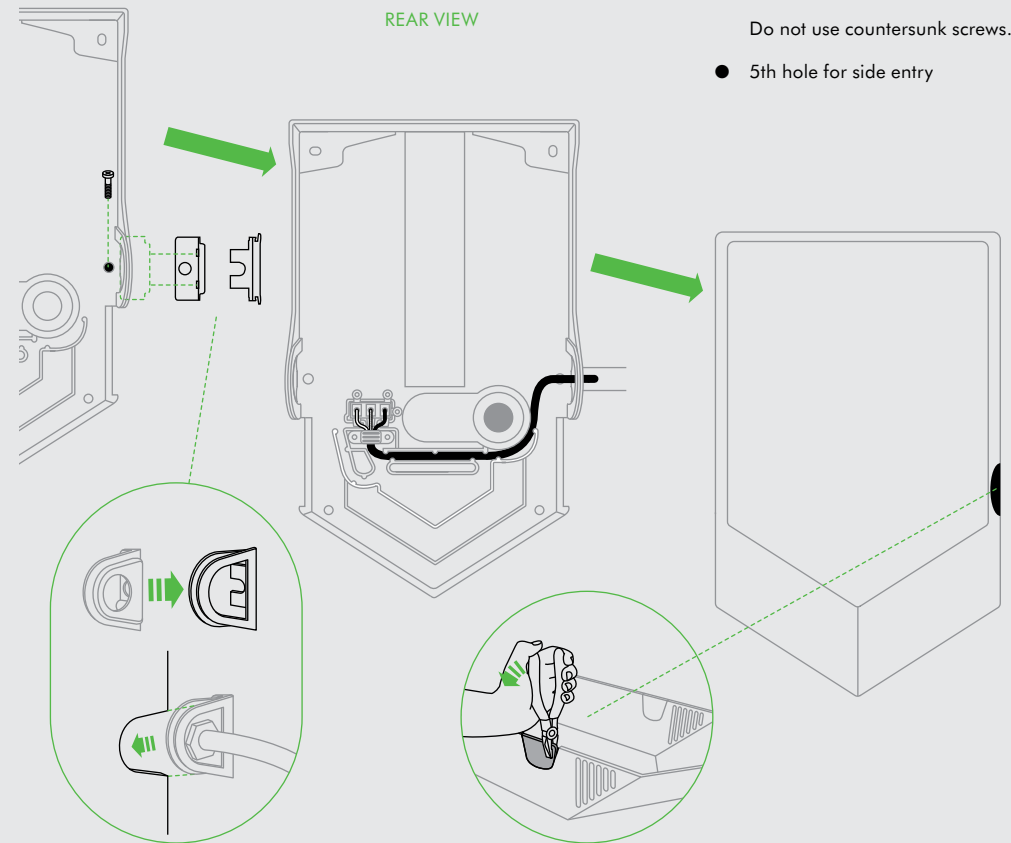
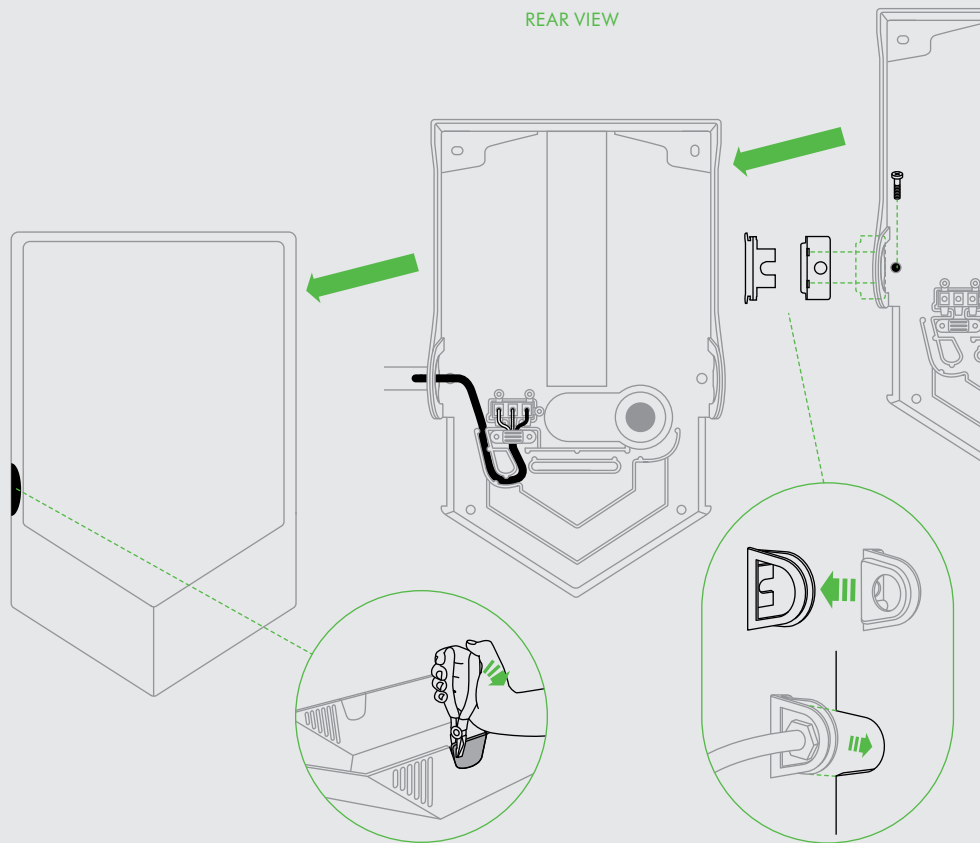
2. Pull the cable through the grommet. Ensure the cable is long enough to route correctly through the backplate to the terminal block. The cable must sit in the dedicated channel.
3. Fit the grommet into the backplate. Ensure it is secure.
4. Secure the screws in the backplate.
5. Proceed with step 4, 'Connecting to terminal block'.

3.2

Side cable entry.

Left

Right



● Primary fixing locations (x4).

Do not use countersunk screws.

● 5th hole for side entry

IMPORTANT

Cable entry can be either from the left or the right. Decide which before you start. The unit is designed to have only one side cable entry point.

NOTE: If the side entry option is chosen, a 5th hole will need to be drilled in the wall. Make sure you work on the correct side for the installation. The break-out on the main body must match up with the bracket on the backplate. **Once the break-out panel on the main body has been removed there is no option to swap sides.**

1. Ensure you work only on the side of the fascia that you have chosen for the cable entry point.
2. Use pliers to carefully nip out only one pre-marked break-out panel in the correct side of the main body. Align to one of the edges and break off an initial part of the panel.
3. Align to the other edge and break off the second part of the panel.
4. Break off the whole part from the center.
5. After break off clean up the excess plastic.
6. Drill holes.
CAUTION: Do not use the backplate as a

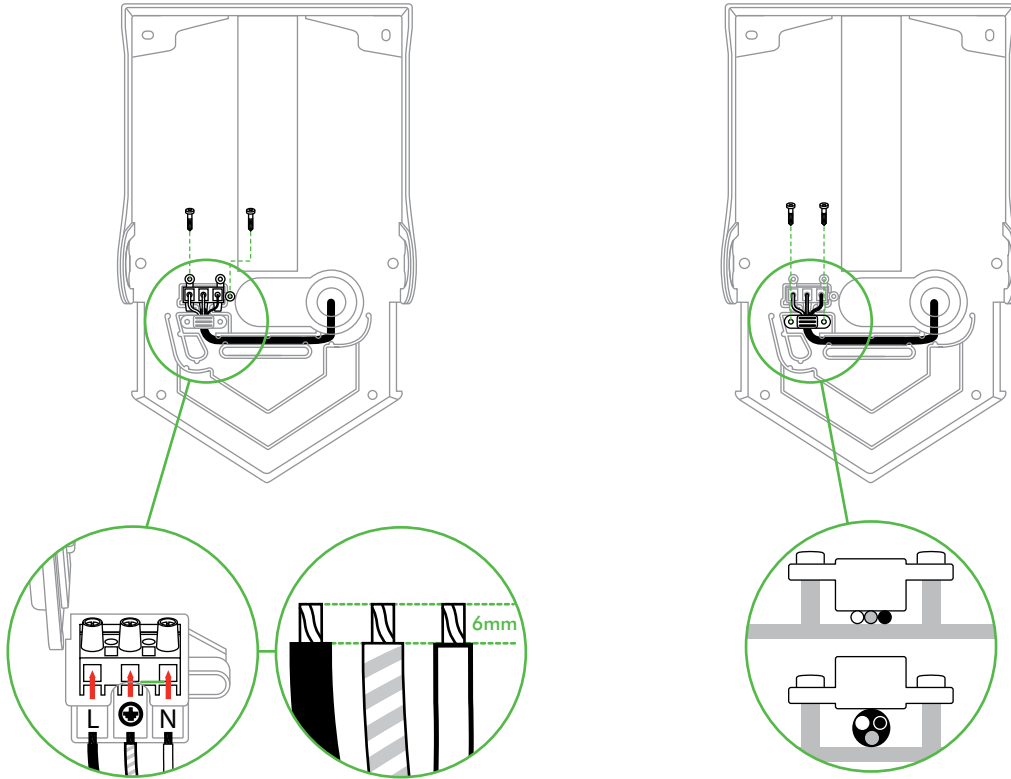
- guide when drilling. Ensure no pipe work (gas, water, air) or electrical cables, wires or ductwork are located directly behind the drilling/mounting area.
7. Pull the electricity supply cable through the side bracket and side bracket seal as shown. Ensure that cable is long enough to route correctly through the backplate to the terminal block. (Note: cable length will be different for left and right side entries.)
8. **NOTE:** Ensure suitable cable gland/conduit connector is used (not provided) for the installation.

Fixing the backplate to the wall.

Fit the main unit securely to the wall using the appropriate fixings for the wall type and weight of the unit. Slide the side bracket into the recess between the wall and the backplate. Screw to the wall and secure with the appropriate fitting. Do not use counter-sunk screws.

4

Connecting to terminal block.

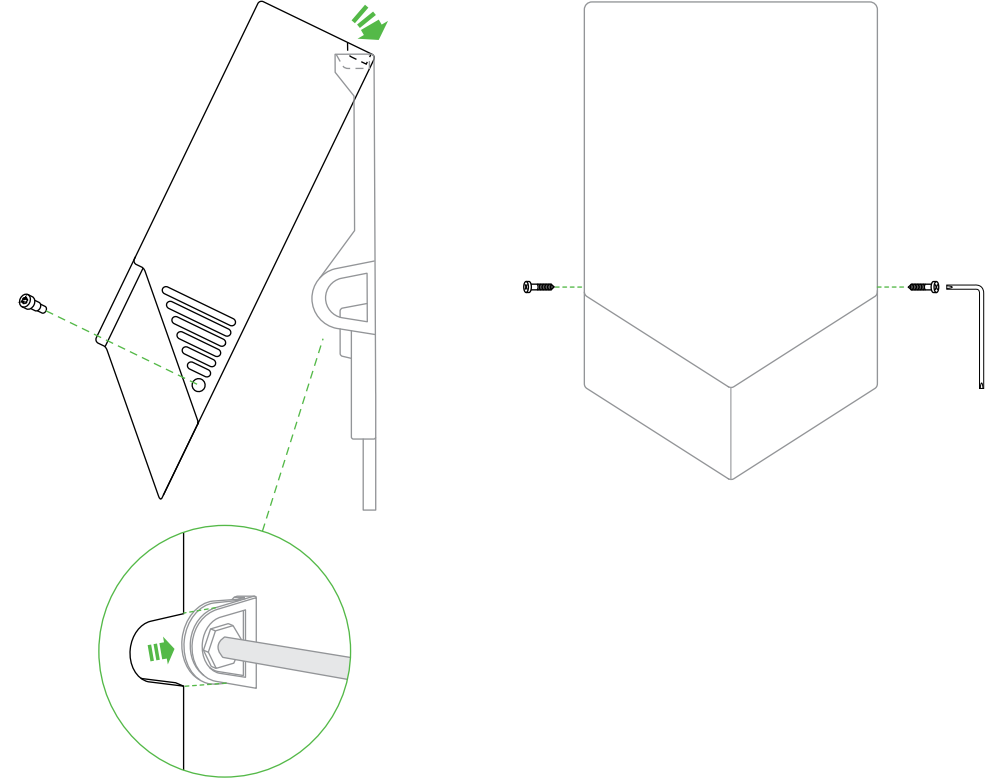


4. Verify the connections are correct before proceeding.
5. Close the flap on the terminal block holder and fit it into the backplate.
6. Screw in and secure the cable clamp.

CAUTION: Do not overtighten and crush the power cable.

5

Attaching main body.



CAUTION: Do not overtighten screws.

1. Hook the main body of the unit over the top rim of the backplate.
2. Swing the main body of the unit down on to the back plate. (For installations with the cable entry on the side, ensure that the side bracket seal is correctly seated against the main body.)
3. Insert and tighten the (2) security screws into the side of the main body as illustrated. Recommended torque of 0.5-0.7NM.
4. Turn power on.
5. Test unit for correct operation.

Do not use sealant when fixing the unit to the wall.

Do not paint/coat the main body or place graphical stickers on it or this may damage the anti-bacterial surface.

Dyson Customer Care Helpline

www.dysonairblade.com

UK 0800 345 7788

ROI 01 401 8300.

AU 1800 426 337

NZ 0800 397 667

SG 7000 435 75 46

dyson